

CASTOR PTZ Camera



The camera has a very versatile use and is easy to mount

Imenco Castor PTZ Camera is a very compact underwater camera that gives great overview and can be used on a lot of applications. The camera has the freedom to be able to look all around freely without having to turn the vehicle the camera is mounted on.

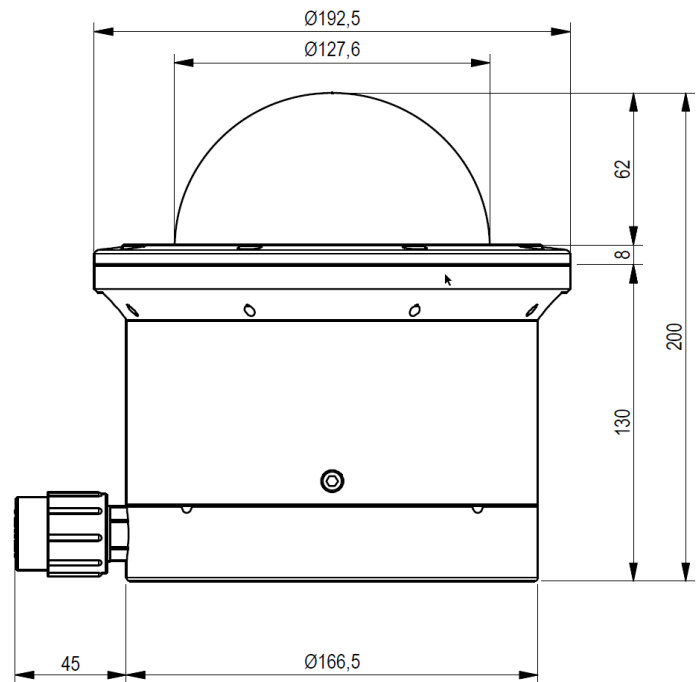
The camera has a very versatile use and is easy to mount. It can also be used as a standalone inspection camera for quick and easy deployment.

imenco
AQUA

CASTOR PTZ Camera

Product Features

- IP colour camera
- High sensitivity / Colours in dense surroundings
- State of the art technology
- Software client
- 360 degrees viewing angle
- Ethernet: 100/1000Mbit TP
- Ethernet Control protocol: ONVIF
- Video format:
H.265 / H.264 - RTP / RTSP / UDP
- Video resolution: 1080p@30fps



Product Specifications	
Configuration	1080p @ 30fps zoom colour camera
Pan	360° continuous
Tilt	±90°
Optical zoom	12x
Angel of view at zoom 1x	58,2°
Sensitivity colour	0,005 Lux
Dimensions	Ø192,5 x 200 mm
Materials	POM / Brass
Depth rating	90 meter
Cable effective range	85 meter
Standard connector	SubConn DBH13
Power	PoE
Weight in air	6,5 Kg
Weight in sea water	3,0 Kg