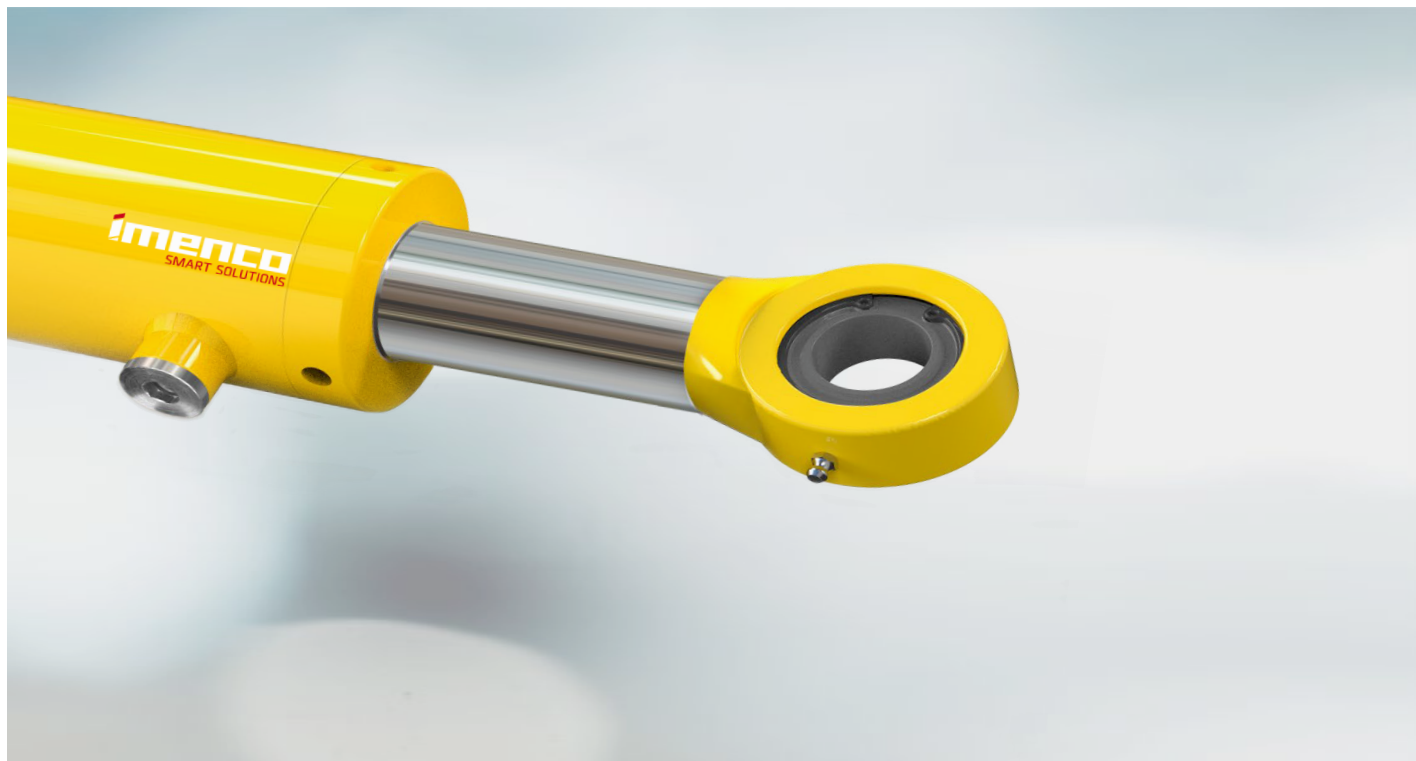


# MO21- With Spherical Bearings



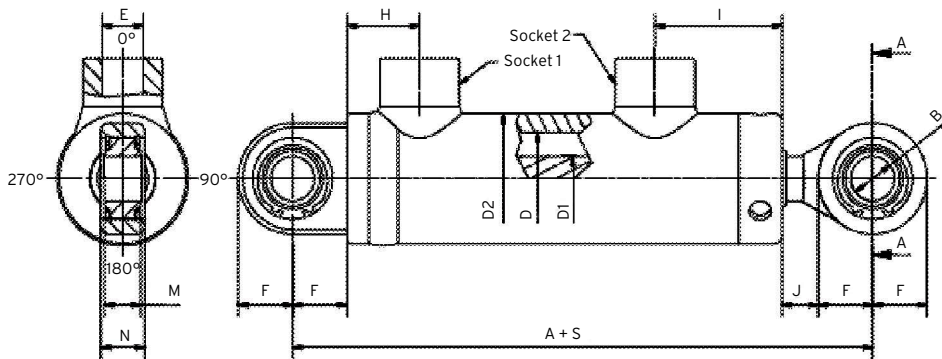
Subsea cylinders with  
working pressure up to  
210 bar

Imenco has developed and manufactured hydraulic cylinders for the oil and gas industry for a variety of applications in nearly 40 years. Our standard cylinder program forms the basis for adaptation of our customized cylinders. Final specifications and materials, as well as buckling calculations, sizing and choice of attachments are agreed upon for each project. Pressure and function tests are carried out for each cylinder before delivery, and documentation is prepared in accordance with the project specifications. All our standard cylinders are designed for subsea use and 210 bar working pressure. Designed and calculated according to DNV 2.9.

For further information, email  
[imenco.hydraulics@imenco.com](mailto:imenco.hydraulics@imenco.com)

# MO21- With Spherical Bearings

D	D1	D2	A	B	C	E	F	H	I	J	M	N
25	12	35	117	12	32.5	R 1/4"	15	20	35	10	10	12
	16	35	117	12	32.5	R 1/4"	15	20	35	10	10	12
32	16	42	129	15	36	R 1/4"	20	20	35	12	12	15
	20	42	129	15	36	R 1/4"	20	20	35	12	12	15
40	20	50	150	20	41	R 3/8"	25	20	42	15	16	20
	25	50	150	20	41	R 3/8"	25	20	42	15	16	20
50	25	60	173	25	46	R 3/8"	30	20	42	15	20	25
	30	60	173	25	46	R 3/8"	30	20	42	15	20	25
65	30	80	205	30	57	R 1/2"	35	22	55	20	22	30
	40	80	205	30	57	R 1/2"	35	22	55	20	22	30
80	40	95	231	35	64.5	R 1/2"	40	27	55	25	25	32
	50	95	231	35	64.5	R 1/2"	40	27	55	25	25	32
100	50	115	294	50	77.5	R 3/4"	53	30	79	30	35	40
	60	115	294	50	77.5	R 3/4"	53	30	79	30	35	40
125	60	140	326	60	90	R 3/4"	65	35	79	30	44	50
	70	140	326	60	90	R 3/4"	65	35	79	30	44	50
	80	140	326	60	90	R 3/4"	65	35	79	30	44	50
140	70	160	366	70	100	R 3/4"	73	36	84	30	49	60
	80	160	366	70	100	R 3/4"	73	36	84	30	49	60
	90	160	366	70	100	R 3/4"	73	36	84	30	49	60
160	80	180	389	80	115	R 1"	83	41	86	30	55	70
	90	180	389	80	115	R 1"	83	41	86	30	55	70
	100	180	389	80	115	R 1"	83	41	86	30	55	70
180	90	200	421	90	125	R 1"	93	43	86	30	60	80
	100	20	421	90	125	R 1"	93	43	86	30	60	80
	110	200	421	90	125	R 1"	93	43	86	30	60	80
200	100	230	451	100	140	R 1"	103	52	91	30	70	90
	110	230	451	100	140	R 1"	103	52	91	30	70	90
	125	230	451	100	140	R 1"	103	52	91	30	70	90
220	110	254	483	110	152	R 1"	113	57	96	30	70	100
	125	254	483	110	152	R 1"	113	57	96	30	70	100
	140	254	483	110	152	R 1"	113	57	96	30	70	100
250	125	298	523	120	174	R 1"	128	66	101	30	85	120
	140	298	523	120	174	R 1"	128	66	101	30	85	120
	160	298	523	120	174	R 1"	128	66	101	30	85	120



For further information, email  
[imenco.hydraulics@imenco.com](mailto:imenco.hydraulics@imenco.com)