

The Imenco 5Te Stand Alone Subsea Tugger Winch is intended for subsea pulling operations. The winch is designed to withstand rough operations in any offshore environment. Easily deployable, it has an innovative design with the possibility for permanent anchoring to a seabed plinth / foundation if required. Operated locally, the winch is powered hydraulically from an external HPU supplied by an ROV.

The 5Te winch is designed and manufactured to industry standards with the option of modifications to suit customer needs.

## FEATURES

- Reliable and easy to use.
- Compact and easily transportable.
- Long service and maintenance intervals.
- Low cost.
- Gravity base sub frame design for permanent anchoring to the seabed plinth / foundations.
- Robustly manufactured with all its structural components painted to offshore standards.

For further information email [commercial@imenco.com](mailto:commercial@imenco.com)

Imenco has served the offshore market for over 40 years providing a wide range of subsea and topside products to customers worldwide.

Our products include ROV tools, Winches, Lifting Equipment, CP Anodes and Guidewire Systems. Imenco can customize most standard products to suit customer's needs.

# SUBSEA PRODUCTS

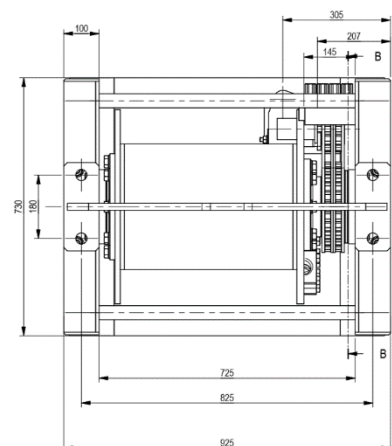
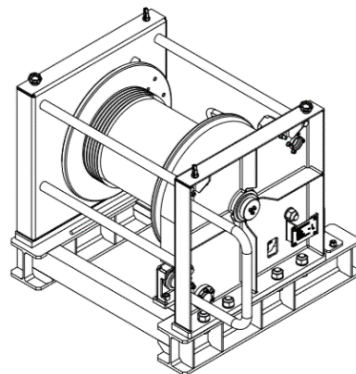
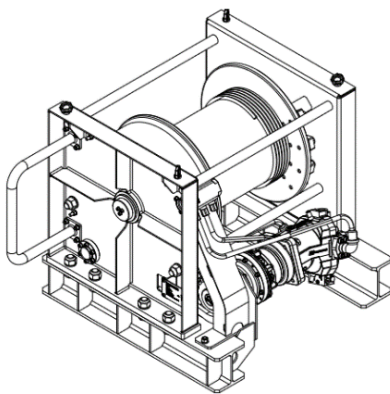
[imenco.com](http://imenco.com)

## SPECIFICATION

Model	Capacity	Overall Dimentions L x W x H (mm)	Weight in Air(kg)	Surface Treatment
Single Drum Tugger Winch	5Te	1372 x 1080 x 1032	859,6	Norsok M501

Hydraulic Motor	Motor Input Power	Motor oil flow = Q	Female Hot Stab	Hot Stab Pressure Rating
SH7V 160	69,19 kW	59 l/min	Blue Logic 43mmØ	690 bar

Drum material	Drum Dimensions (mm)	Flange Ø (mm)	Documentation
Duplex S Steel	520 L x 410 core Ø	650	COC + Operation & Maintenance Manual + Load Test Certificate



For further information or to get a quotation email [commercial@imenco.com](mailto:commercial@imenco.com) or find contact info on our website.

AVIATION | DIVING | ENGINEERING | SUBSEA MECHANICAL | SUBSEA ELECTRONICS | TOPSIDE | WORKSHOP

