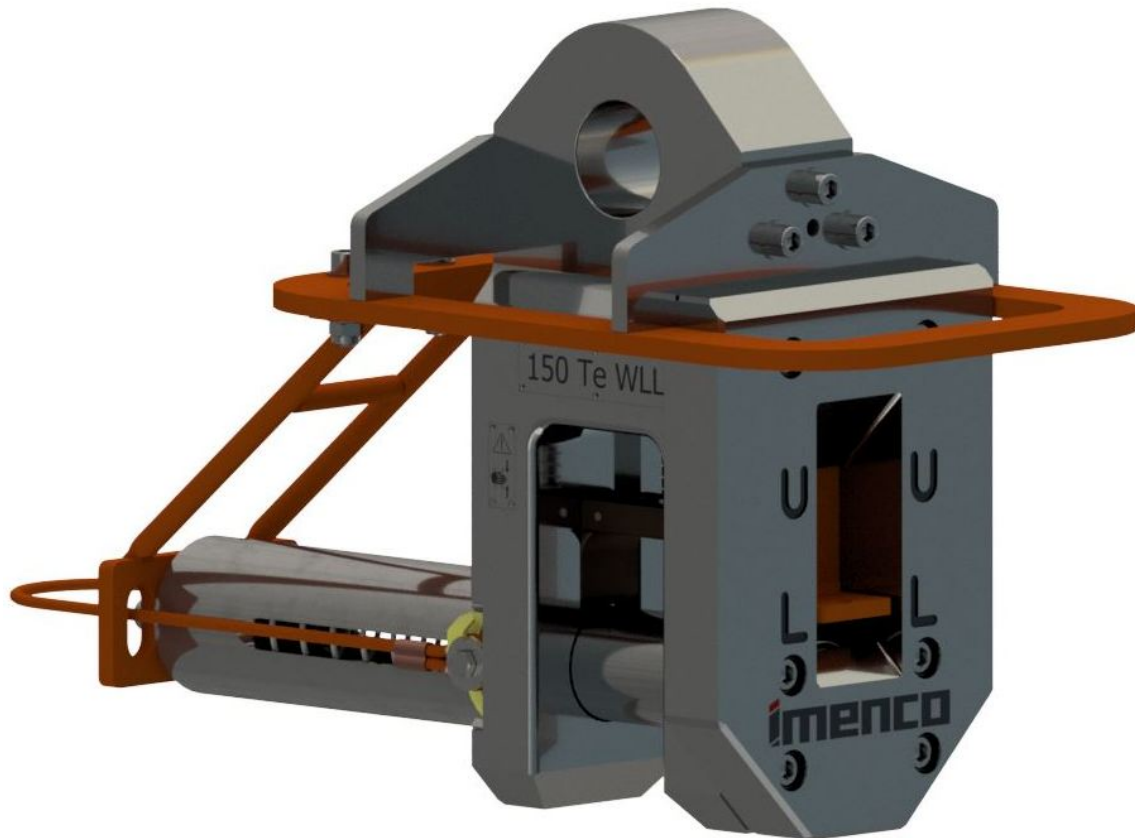


ROV Operated Shackle

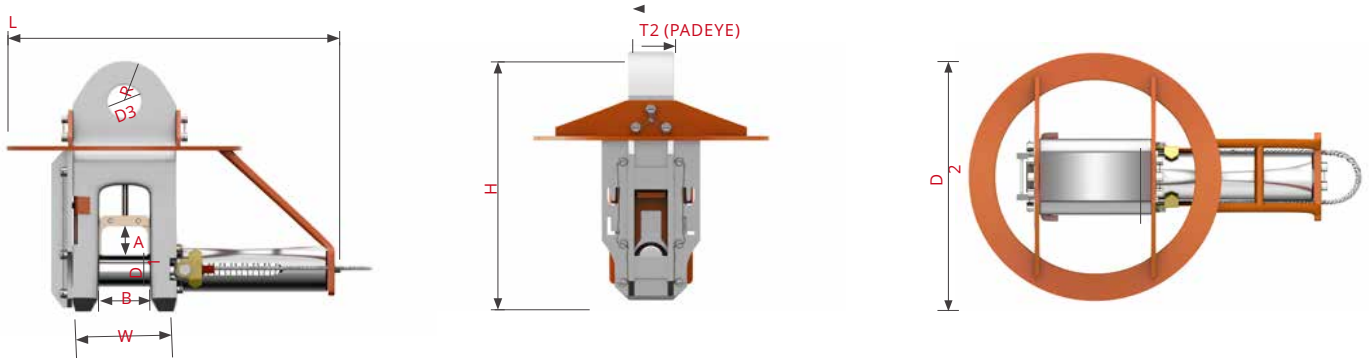


Easy-to use positive,
double locking system
which ensures safe lifting
operations

- The ROV Operated Shackle is a semi-automatic shackle
- Easy to operate
- ROV friendly
- No need for diver intervention
- Interfaces standard shackles of same capacity
- Automatic latching to a lug

ROV Operated Shackle

- Clearly visible indications that both shackle-pin and locking plate is in locked or unlocked positions
- Main parts made from High Strength Stainless Steel and high tensile 34CrNi steel
- Due to its smart design and the high quality, the Imenco ROV Shackle is established as the industry standard for ROV Shackles globally
- The available range of IMENCO Shackles is (WLL): 6,5Te, 12 Te, 17Te, 25Te, 35Te, 55Te, 85Te, 120Te and 150Te
- Other sizes may be manufactured on request. Functions to be operated are to be defined in conjunction with customers



Shackle Size (WLL)	Pin Dia. D1 (mm)	Inside Height A (mm)	Inside Width B (mm)	Grab Ring Dia. D2 (mm)	Body Dim. (mm)			Top Padeye (mm)			O/A Length L (mm)	Dry Weight (Kg)
					W	T1	H	T2	D3	R		
6.5Te	25	34 - 38	36	270	75	60	230	32	27	40	321	9
12Te	35.1	41 - 58	51	300	102	80	300	45	36	50	375	16
17Te	42	47 - 69	60.5	340	125	90	350	52	44	55	444	27
25Te	51	52 - 82	73	380	156	110	415	65	53	65	502	44
35Te	57	52 - 86	83	380	172	115	428	70	59	71	556	52
55Te	70	65 - 95	105	420	205	135	485	95	72	85	644	81
85Te	83	75 - 113.5	127	550	250	170	565	115	85	105	794	145
120Te	95.5	121 - 170	145	839	310	200	745	145	98	130	1050	380
150Te	108	75 - 141	165	839	325	210	755	155	110	130	1080	404

For further information, email commercial@imenco.com - camera.sales.uk@imenco.com